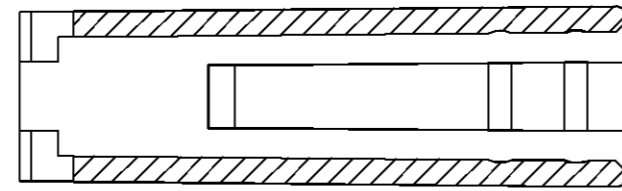
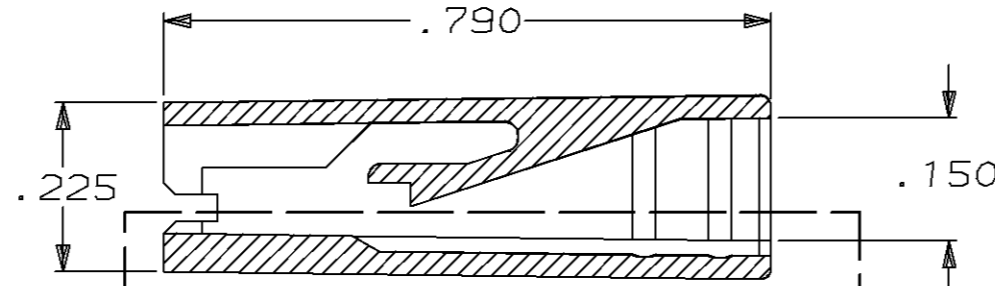
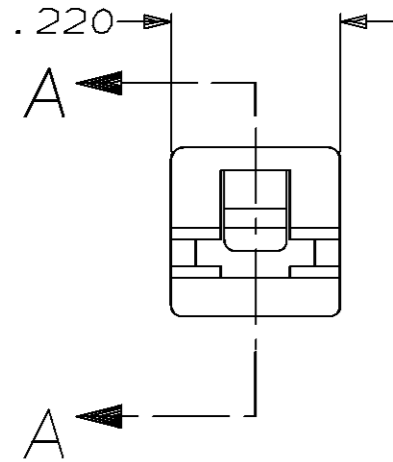


THIS DRAWING IS UNPUBLISHED. RELEASED FOR PUBLICATION, 19 .
 © COPYRIGHT 19 BY AMP INCORPORATED. ALL INTERNATIONAL RIGHTS RESERVED.

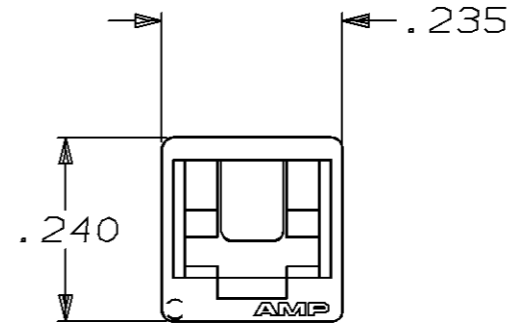
LOC	DIST	P	F	ZONE	LTR	DESCRIPTION	DATE	APPD
AF	50				L	ADDED -11 PER 0710-0099-96	3/20/96	JR/RB



SECTION B-B



SECTION A-A



DO NOT SCALE PRINT. UNLESS SPECIFIED DIMENSIONS ARE IN INCHES. TOLERANCES ON: 2 PLC DEC ± - 3 PLC DEC ± .015 ANGLES ± -	DR 2/8/91 JR RUTH CHK 2/8/91 MS FEHER APPD 2/8/91 C MEYERS APPD 2/8/91 D REINER PRODUCT SPEC -
MATERIAL 6/6 NYLON	APPLICATION SPEC - WEIGHT -

BLACK	1-480417-1
NATURAL	1-480417-0
COLOR	PART NO
AMP AMP Incorporated Harrisburg, PA 17105-3608	
NAME HOUSING, RECEPTACLE, FASTON, .110 SERIES	
SIZE B	CAGE CODE 00779
SCALE 4:1	DRAWING NO 480417
	SHEET 1 OF 1